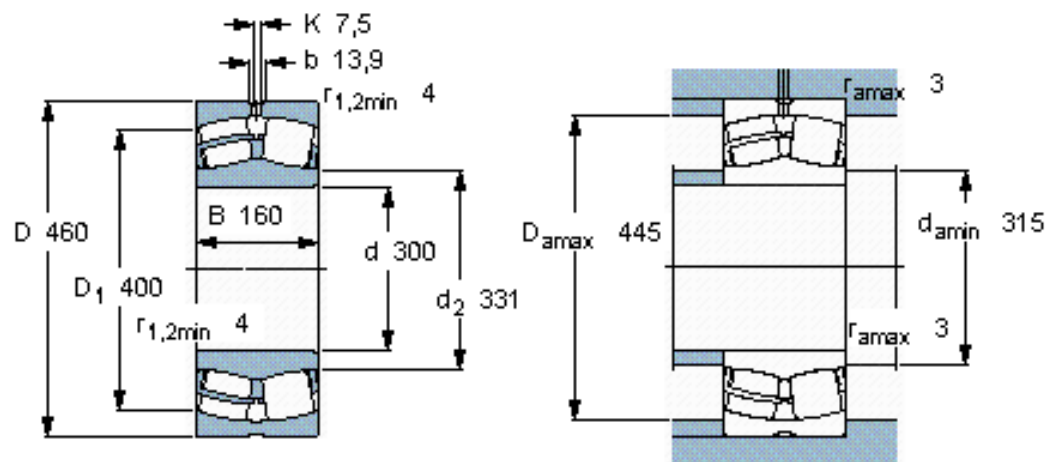


Spherical roller bearings, cylindrical and tapered bore

Principal dimensions			Basic load ratings		Fatigue load limit Pu	Speed ratings		Mass	Designation
d	D	B	dynamic	static		Reference speed	Limiting speed		
mm			kN		kN	r/min		kg	* - SKF Explorer bearing
300	460	160	2700	4750	335	850	1200	97,0	24060 CC/W33 *



Calculation factors

$e = 0,33$
 $Y_1 = 2$
 $Y_2 = 3$
 $Y_0 = 2$