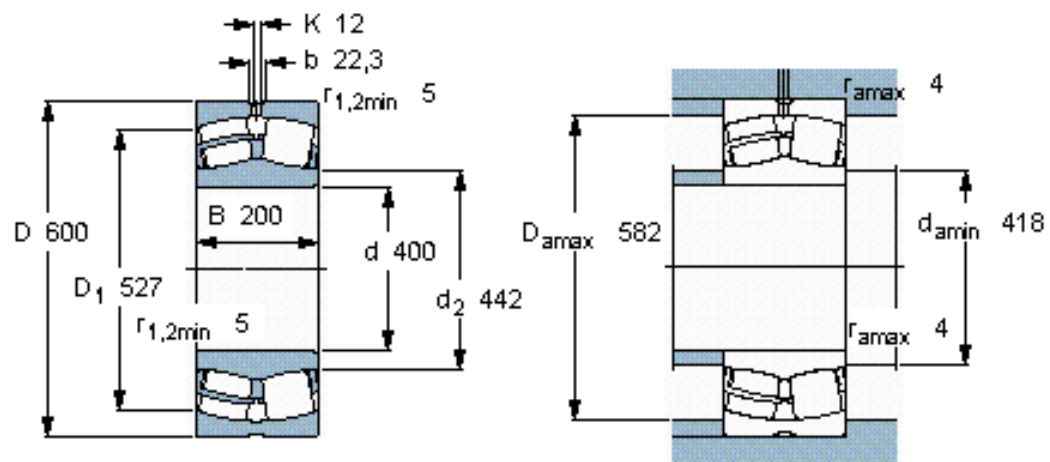


Spherical roller bearings, cylindrical and tapered bore

Principal dimensions			Basic load ratings		Fatigue load limit Pu	Speed ratings		Mass kg	Designation
d	D	B	dynamic C	static C0		Reference speed r/min	Limiting speed r/min		
mm			kN		kN	r/min		kg	-
400	600	200	4300	8000	560	630	900	205	24080 ECCJ/W33 *



Calculation factors

e 0,30
 Y_1 2,3
 Y_2 3,4
 Y_0 2,2